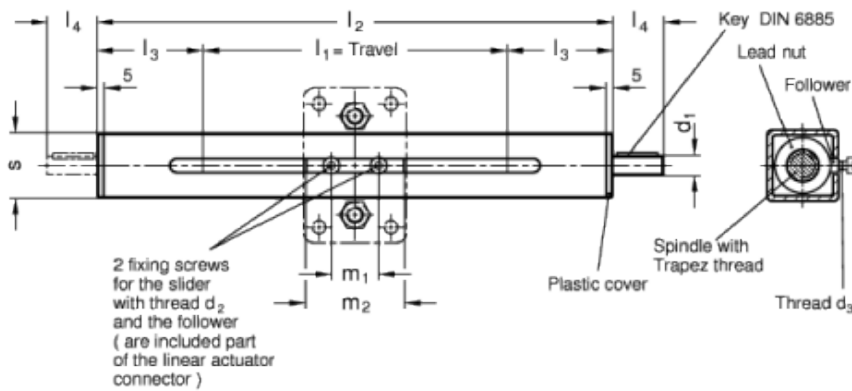


GN 291.1

Square linear actuators



technical informations

Square tube

Precision steel tube, chrome-plated SCR, DIN 2391.

Trapezoidal thread on shaft

Steel thrust ball bearings.

Follower nut

Gun metal.

End caps

Plastic.

Types

- Type R1: Right hand thread, single shaft end only.
- Type R2*: Right hand thread, two shaft ends.

- Type L1: Left hand thread, single shaft end only.
- Type L2*: Left hand thread, two shaft ends.

Assembly

Sliders, connector clamps and accessoires have to be ordered separately.

Features and applications

Square linear actuators GN 291.1 are used if the linear actuator connectors are exposed to high torsion forces. Besides the extensive range of tube clamp connectors there are a number of additional components for mounting on the linear actuator to build slider units. The two-part tube clamp connectors range includes a wide variety of different components for fixing linear actuators and for setting up linear actuator connectors. In order to measure the movement and positioning of the linear actuator connectors, the square tube can be fitted with a longitudinal scale.

Special executions on request (For sufficient quantities)

Guide tube, precision AISI303 stainless steel NI , DIN 2462 (all types).

Standard Elements		Main dimensions											Shaft key spring	Weight
Description	s	l ₁ Travel (standard lengths)	max. travel*	shaft thread	d ₁ f7	d ₂	l ₂	l ₃	l ₄	m ₁	m ₂	DIN 6885	g	
GN 291.1-30-100-R1-SCR	30	100	1250	TR14x4	8	M ₄	l ₁₊₂₁₀	105	16	23	38	A2x2x12	825	
GN 291.1-30-150-R1-SCR	30	150	1250	TR14x4	8	M ₄	l ₁₊₂₁₀	105	16	23	38	A2x2x12	948	
GN 291.1-30-200-R1-SCR	30	200	1250	TR14x4	8	M ₄	l ₁₊₂₁₀	105	16	23	38	A2x2x12	1260	
GN 291.1-30-300-R1-SCR	30	300	1250	TR14x4	8	M ₄	l ₁₊₂₁₀	105	16	23	38	A2x2x12	2220	
GN 291.1-40-70-R1-SCR	40	70	1570	TR20x4	12	M ₅	l ₁₊₂₄₀	120	17	42	54	A4x4x12	1680	
GN 291.1-40-170-R1-SCR	40	170	1570	TR20x4	12	M ₅	l ₁₊₂₄₀	120	17	42	54	A4x4x12	1680	
GN 291.1-40-220-R1-SCR	40	220	1570	TR20x4	12	M ₅	l ₁₊₂₄₀	120	17	42	54	A4x4x12	2400	
GN 291.1-40-270-R1-SCR	40	270	1570	TR20x4	12	M ₅	l ₁₊₂₄₀	120	17	42	54	A4x4x12	2700	
GN 291.1-40-320-R1-SCR	40	320	1570	TR20x4	12	M ₅	l ₁₊₂₄₀	120	17	42	54	A4x4x12	3100	
GN 291.1-50-65-R1-SCR	50	65	1565	TR20x4	12	M ₆	l ₁₊₂₄₅	122.5	18	42	54	A4x4x12	2630	
GN 291.1-50-115-R1-SCR	50	115	1565	TR20x4	12	M ₆	l ₁₊₂₄₅	122.5	18	42	54	A4x4x12	2820	
GN 291.1-50-215-R1-SCR	50	215	1565	TR20x4	12	M ₆	l ₁₊₂₄₅	122.5	18	42	54	A4x4x12	3500	
GN 291.1-50-265-R1-SCR	50	265	1565	TR20x4	12	M ₆	l ₁₊₂₄₅	122.5	18	42	54	A4x4x12	3830	
GN 291.1-50-315-R1-SCR	50	315	1565	TR20x4	12	M ₆	l ₁₊₂₄₅	122.5	18	42	54	A4x4x12	4190	
GN 291.1-30-100-R2-SCR	30*	100	1250	TR14x4	8	M ₄	l ₁₊₂₁₀	105	16	23	38	A2x2x12	825	
GN 291.1-30-150-R2-SCR	30*	150	1250	TR14x4	8	M ₄	l ₁₊₂₁₀	105	16	23	38	A2x2x12	948	
GN 291.1-30-200-R2-SCR	30*	200	1250	TR14x4	8	M ₄	l ₁₊₂₁₀	105	16	23	38	A2x2x12	1260	

GN 291.1-30-300-R2-SCR	30*	300	1250	TR14x4	8	M ₄	l ₁₊₂₁₀	105	16	23	38	A2x2x12	1300
GN 291.1-40-70-R2-SCR	40*	70	1570	TR20x4	12	M ₅	l ₁₊₂₄₀	120	17	42	54	A4x4x12	1680
GN 291.1-40-170-R2-SCR	40*	170	1570	TR20x4	12	M ₅	l ₁₊₂₄₀	120	17	42	54	A4x4x12	1900
GN 291.1-40-220-R2-SCR	40*	220	1570	TR20x4	12	M ₅	l ₁₊₂₄₀	120	17	42	54	A4x4x12	2400
GN 291.1-40-270-R2-SCR	40*	270	1570	TR20x4	12	M ₅	l ₁₊₂₄₀	120	17	42	54	A4x4x12	2700
GN 291.1-40-320-R2-SCR	40*	320	1570	TR20x4	12	M ₅	l ₁₊₂₄₀	120	17	42	54	A4x4x12	2820
GN 291.1-50-65-R2-SCR	50*	65	1565	TR20x4	12	M ₆	l ₁₊₂₄₅	122.5	18	42	54	A4x4x12	2890
GN 291.1-50-115-R2-SCR	50*	115	1565	TR20x4	12	M ₆	l ₁₊₂₄₅	122.5	18	42	54	A4x4x12	2940
GN 291.1-50-215-R2-SCR	50*	215	1565	TR20x4	12	M ₆	l ₁₊₂₄₅	122.5	18	42	54	A4x4x12	3100
GN 291.1-50-265-R2-SCR	50*	265	1565	TR20x4	12	M ₆	l ₁₊₂₄₅	122.5	18	42	54	A4x4x12	3830
GN 291.1-50-315-R2-SCR	50*	315	1570	TR20x4	12	M ₆	l ₁₊₂₄₅	122.5	18	42	54	A4x4x12	4190
GN 291.1-30-100-L1-SCR	30	100	1250	TR14x4	8	M ₄	l ₁₊₂₁₀	105	16	23	38	A2x2x12	825
GN 291.1-30-150-L1-SCR	30	150	1250	TR14x4	8	M ₄	l ₁₊₂₁₀	105	16	23	38	A2x2x12	948
GN 291.1-30-200-L1-SCR	30	200	1250	TR14x4	8	M ₄	l ₁₊₂₁₀	105	16	23	38	A2x2x12	1260
GN 291.1-30-300-L1-SCR	30	300	1250	TR14x4	8	M ₄	l ₁₊₂₁₀	105	16	23	38	A2x2x12	1300
GN 291.1-40-70-L1-SCR	40	70	1570	TR20x4	12	M ₅	l ₁₊₂₄₀	120	17	42	54	A4x4x12	1680
GN 291.1-40-170-L1-SCR	40	170	1570	TR20x4	12	M ₅	l ₁₊₂₄₀	120	17	42	54	A4x4x12	2220
GN 291.1-40-220-L1-SCR	40	220	1570	TR20x4	12	M ₅	l ₁₊₂₄₀	120	17	42	54	A4x4x12	2490
GN 291.1-40-270-L1-SCR	40	270	1570	TR20x4	12	M ₅	l ₁₊₂₄₀	120	17	42	54	A4x4x12	2700
GN 291.1-40-320-L1-SCR	40	320	1570	TR20x4	12	M ₅	l ₁₊₂₄₀	120	17	42	54	A4x4x12	3100
GN 291.1-50-65-L1-SCR	50	65	1565	TR20x4	12	M ₆	l ₁₊₂₄₅	122.5	18	42	54	A4x4x12	2630
GN 291.1-50-115-L1-SCR	50	115	1565	TR20x4	12	M ₆	l ₁₊₂₄₅	122.5	18	42	54	A4x4x12	2820
GN 291.1-50-215-L1-SCR	50	215	1565	TR20x4	12	M ₆	l ₁₊₂₄₅	122.5	18	42	54	A4x4x12	3500
GN 291.1-50-265-L1-SCR	50	265	1565	TR20x4	12	M ₆	l ₁₊₂₄₅	122.5	18	42	54	A4x4x12	3830
GN 291.1-50-315-L1-SCR	50	315	1565	TR20x4	12	M ₆	l ₁₊₂₄₅	122.5	18	42	54	A4x4x12	4190
GN 291.1-30-100-L2-SCR	30*	100	1250	TR14x4	8	M ₄	l ₁₊₂₁₀	105	16	23	38	A2x2x12	825
GN 291.1-30-150-L2-SCR	30*	150	1250	TR14x4	8	M ₄	l ₁₊₂₁₀	105	16	23	38	A2x2x12	948
GN 291.1-30-200-L2-SCR	30*	200	1250	TR14x4	8	M ₄	l ₁₊₂₁₀	105	16	23	38	A2x2x12	1260
GN 291.1-30-300-L2-SCR	30*	300	1250	TR14x4	8	M ₄	l ₁₊₂₁₀	105	16	23	38	A2x2x12	1300

GN 291.1-40-70-L2-SCR	40*	70	1570	TR20x4	12	M 5	I ₁₊₂₄₀	120	17	42	54	A4x4x12	168
GN 291.1-40-170-L2-SCR	40*	170	1570	TR20x4	12	M 5	I ₁₊₂₄₀	120	17	42	54	A4x4x12	190
GN 291.1-40-220-L2-SCR	40*	220	1570	TR20x4	12	M 5	I ₁₊₂₄₀	120	17	42	54	A4x4x12	240
GN 291.1-40-270-L2-SCR	40*	270	1570	TR20x4	12	M 5	I ₁₊₂₄₀	120	17	42	54	A4x4x12	270
GN 291.1-40-320-L2-SCR	40*	320	1570	TR20x4	12	M 5	I ₁₊₂₄₀	120	17	42	54	A4x4x12	282
GN 291.1-50-65-L2-SCR	50*	65	1565	TR20x4	12	M 6	I ₁₊₂₄₅	122.5	18	42	54	A4x4x12	289
GN 291.1-50-115-L2-SCR	50*	115	1565	TR20x4	12	M 6	I ₁₊₂₄₅	122.5	18	42	54	A4x4x12	294
GN 291.1-50-215-L2-SCR	50*	215	1565	TR20x4	12	M 6	I ₁₊₂₄₅	122.5	18	42	54	A4x4x12	310
GN 291.1-50-265-L2-SCR	50*	265	1565	TR20x4	12	M 6	I ₁₊₂₄₅	122.5	18	42	54	A4x4x12	383
GN 291.1-50-315-L2-SCR	50*	315	1565	TR20x4	12	M 6	I ₁₊₂₄₅	122.5	18	42	54	A4x4x12	419

* usually not available from stock



STANDARD MACHINE ELEMENTS WORLDWIDE